

**Back** ○ Flat Cable Connectors SEK

○ *har-mik®*

○ D-Sub

○ InduCom

---

● **Applications**

---

## Product details

---

**09 56 200 5601**

**High density cable connector**

Gender	Male High Density
Termination	Crimp
Number of contacts	26
Flange	through hole 3.1 mm
Shell	tinned metal shell with dimples
Insulation material	PBTP
Contact configuration	contacts must be order separately
RoHS compliant	Yes

**Inquiry**

### Available Downloads

Title	Format	
Data sheet	PDF	<a href="#">download</a>
CAD data 2D	DXF	<a href="#">download</a>

### Product news

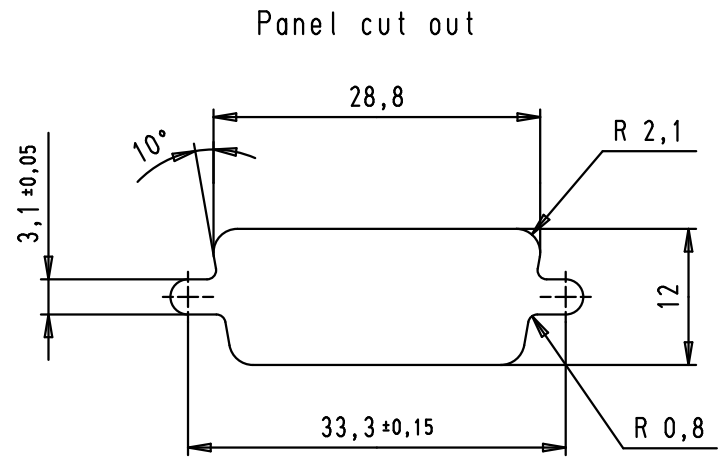
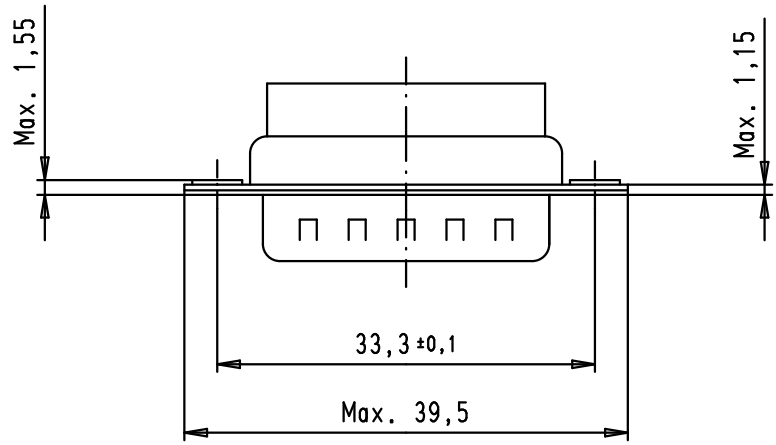
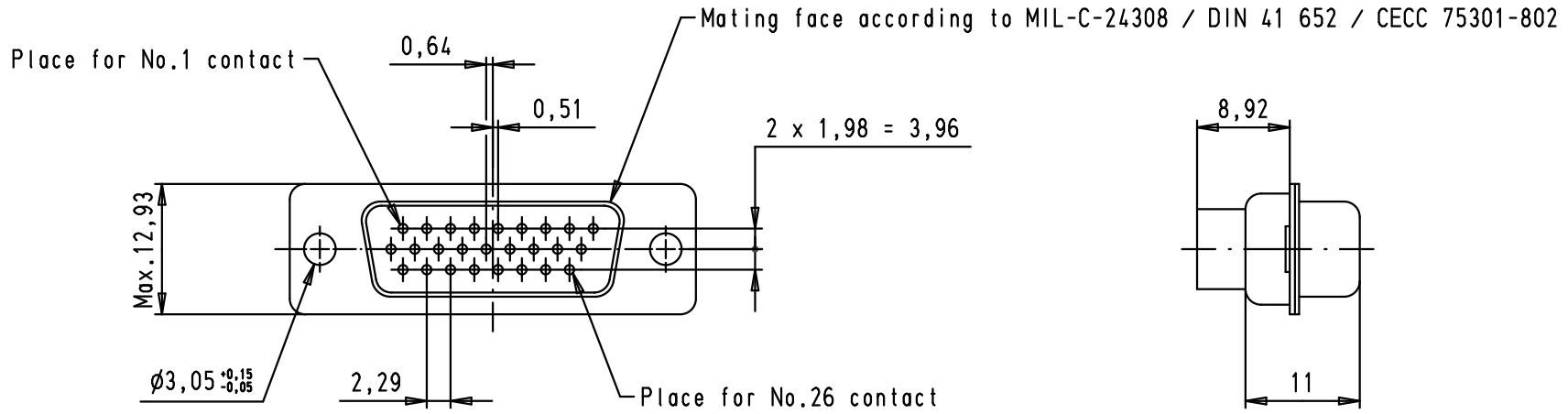
5

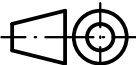

4

3

2

1



				Det.	Name	 All Dim. in mm Orig. Size DIN A 4	D-Sub, high density, male, 26 poles, for crimp contacts	Maßstab/ Scale
			Detail.	16/09/02	CV			1,5:1
			Insp.					
			Stand.					
34618	17/10/07	PK	HARTING EURL F-95972 Paris				TB 09 56 200 5601	Blatt/ Page
31064	16/09/02	CV						1 / 1
Mod.	Dot.	Name						Sub.